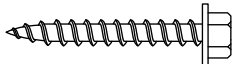
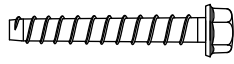
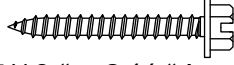
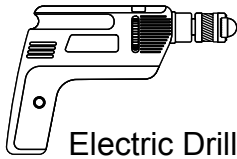
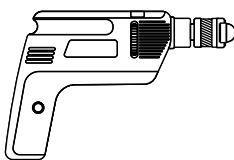
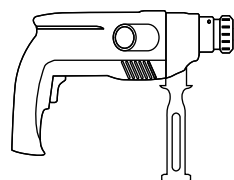
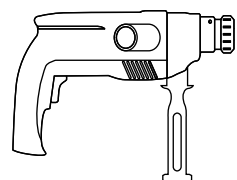
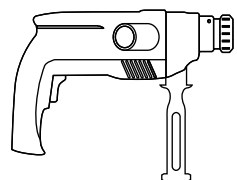
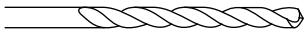



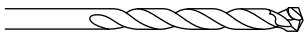










### Liberty Garden Mounting Hardware Reference Chart

Required Tools and Washers ↓	Wood Screw	Brick or Masonry Screw	Brick or Masonry Anchor
		 5/16" x 2 1/2" Long	  5/16" x 2 1/2" Long
 Electric Drill			
 Hammer Drill			
 Wood Drill Bit	Wood Drill Bit  1/4" Drill Bit <b>1/4" Pilot Hole</b>	Masonry Drill Bit  1/4" Drill Bit <b>1/4" Pilot Hole</b>	Masonry Drill Bit  5/16" Drill Bit <b>5/16" Pilot Hole</b>
 Masonry Drill Bit			
 Lock Washer	5/16" 	5/16" 	5/16" 
 Flat Washer			5/16" 

**CAUTION:** The minimum required insertion depth of a brick or masonry anchor sleeve is 1 inch. Ensure the drill hole is deeper than the depth of the sleeve once the anchor is inserted. This will prevent the wall mounted garden product from falling.

**Note:** Drill hole diameters may vary based on anchor sleeves, concrete screws and wood screw manufacturer.

**Check product recommendations before drilling holes**